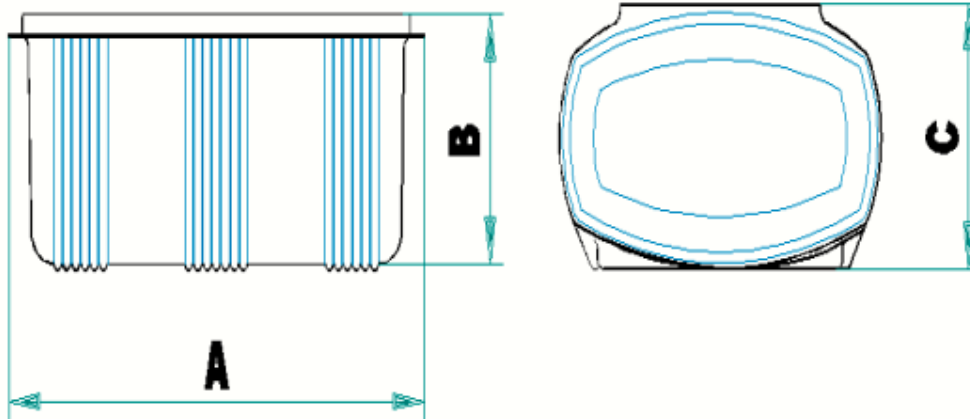


Product Specification

Product Title OVAL HINGED LID CONTAINER PET, 1000CC 400/BOX V66

Product Code FE1000ITE

(V66) 1000 CC OVAL HINGED CONTAINER



Dimensions	A (mm)	B (mm)	C (mm)
	125	85	177

WEIGHT	
MIN	MAX
22,80	24,00

PRODUCT INFORMATION						
Piece /Kg / Time	Product Weight $\pm\%2,5$ (g)	Gross Box Weight $\pm\%2,5$ (Kg)	Quantity per Boc (Pcs)	Minutes for 1000 pcs	Pcs / 1000 kg	Sheet (kg) for 1000 pcs
	23,4	10,56	400	6,94	28328,61	35,3

Production Details	Box per Hour (pcs)	Product per Hour (pcs)	Ullage Factor	Tool Cavity (pcs)	Production Rate (cycle / minute)	Sheet Dimensions
	21,60	8640	11,9	4	36	0,35 x 680

Knife, Box and Sleeve Bag	Knife Ref	Length of Knife (m)	Box Ref	Inner Box Dimensions L x W x H (mm)	Sleeve Bag Dimensions (mm)
	L11020160	4,1	103	580 x 397 x 550	50 x 80

While we have taken all reasonable steps to verify the accuracy of the information contained in this specification, no warranties are given to this effect and purchasers should determine for themselves whether products are suitable for their own specific use. The information contained in this specification is intended for the customer it has been issued to. It must not be reproduced, or the information contained therein passed on to any third party without the written consent of Scobie & Junor.

Product Specification



Customer Approval of Specification	
Please sign and return this specification to technical@scobie-junor.co.uk to confirm formal acceptance of this specification. All specifications issued will be deemed to be accepted if no communication to the contrary is received after 10 working days.	
Signature:	
Print name:	
Position:	
Date:	

Issued by Scobie & Junor (Estd. 1919) Ltd. Certified accurate on 20/10/2021 14:10:19

While we have taken all reasonable steps to verify the accuracy of the information contained in this specification, no warranties are given to this effect and purchasers should determine for themselves whether products are suitable for their own specific use. The information contained in this specification is intended for the customer it has been issued to. It must not be reproduced, or the information contained therein passed on to any third party without the written consent of Scobie & Junor.